



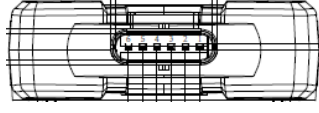


PRODUCT SPECIFICATION			
PART NO.:	M2C-S-2		
DESCRIPTION	Cloud Connected Receiver – Gen 2		
DOCUMENT NO.:	SP-M2C-S-2-A	ISSUE:	A

PRODUCT INTRODUCTION

This document details the technical specification for the following product: **Cloud Connected Receiver – Gen2 (M2C-S-2)**. This Receiver processes sensor data, sends alerts to an In-Cab Reporter and transmits system summary data to the Cloud using a cellular connection. The Receiver is fitted underneath the vehicle, in the middle of the chassis, half way between front and rear axles with the Wheely-Safe logo facing the road.

PRODUCT APPEARANCE AND DIMENSIONS

Appearance - Top	Appearance - Side	Pin Out	Dimensions
		 <p> Pin 1 = Positive Pin 2 = Negative Pin 3 = Not Used Pin 4 = Not Used Pin 5 = Switched Positive Pin 6 = Not Used </p>	Length = 87mm Width = 80mm Height = 28mm Weight = 75g

TECHNICAL SPECIFICATIONS

General Specifications			
Product		GPRS Connected Receiver - Gen 2 (M2C-S-2)	
HF Frequency		433.92MHz	
Frequency Stability		±20KHz	
Modulation Frequency		9.6KHz	
Modulation Type		FSK	
Operation Voltage		12-24V	
High Frequency Power		Higher than -110dBm	
Operating Temperature		-40°C~80°C	
Storage Temperature		-40°C~85°C	
Ingress Protection Rating		IP67	
Internal Battery		3.7 Volt 160mAh Polymer Lithium	
SIM Card Size		Micro SIM 3FF	
Cellular Networks		GPRS (2G) or LTE-M (part of 4G)	
Connector		TE Connectivity MCON 1-1718646-1	
Company	Sign	Company	Sign
Wheely Safe	<i>G Broadfield</i>	Autotech	<i>S Chen</i>